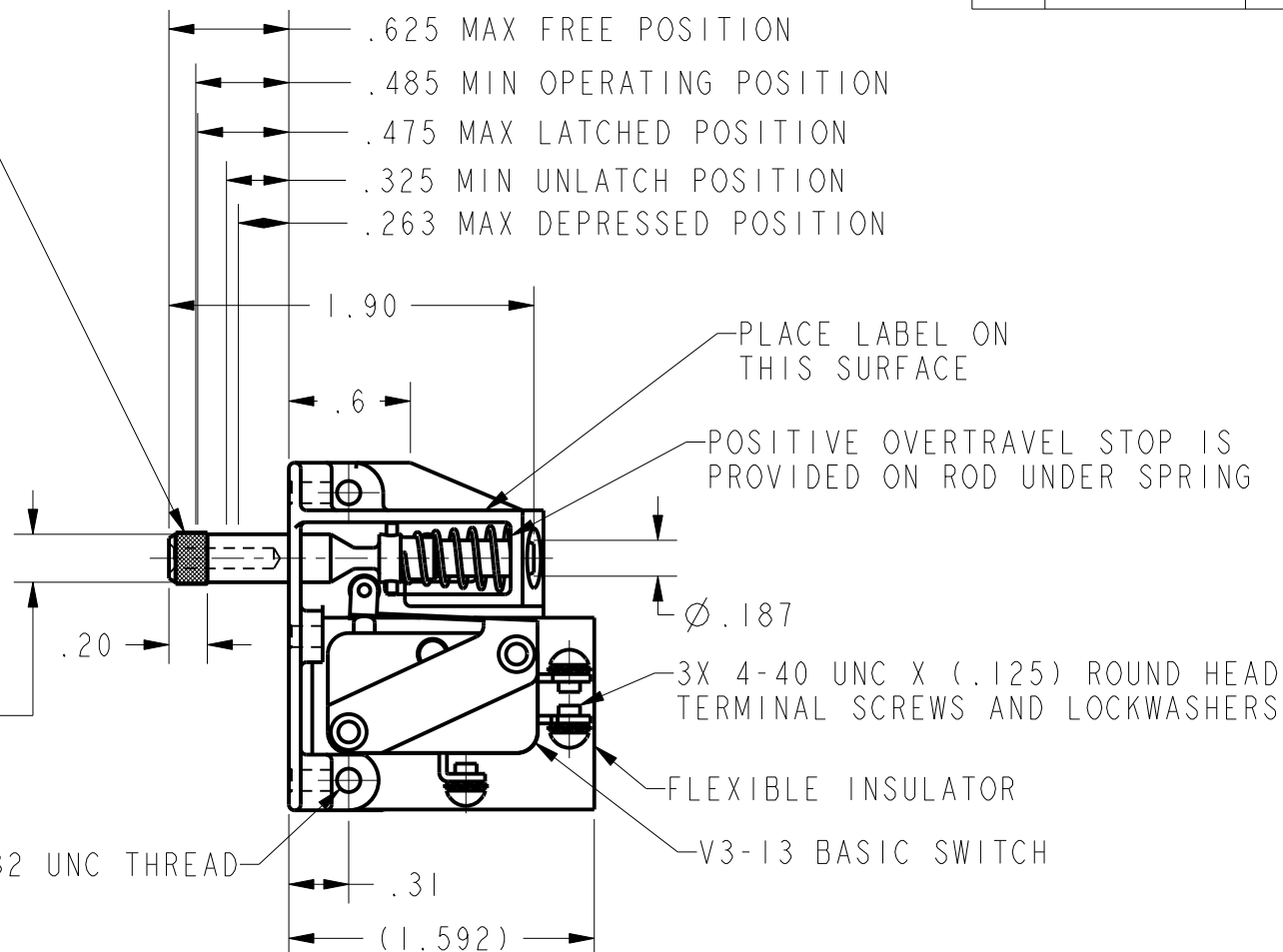
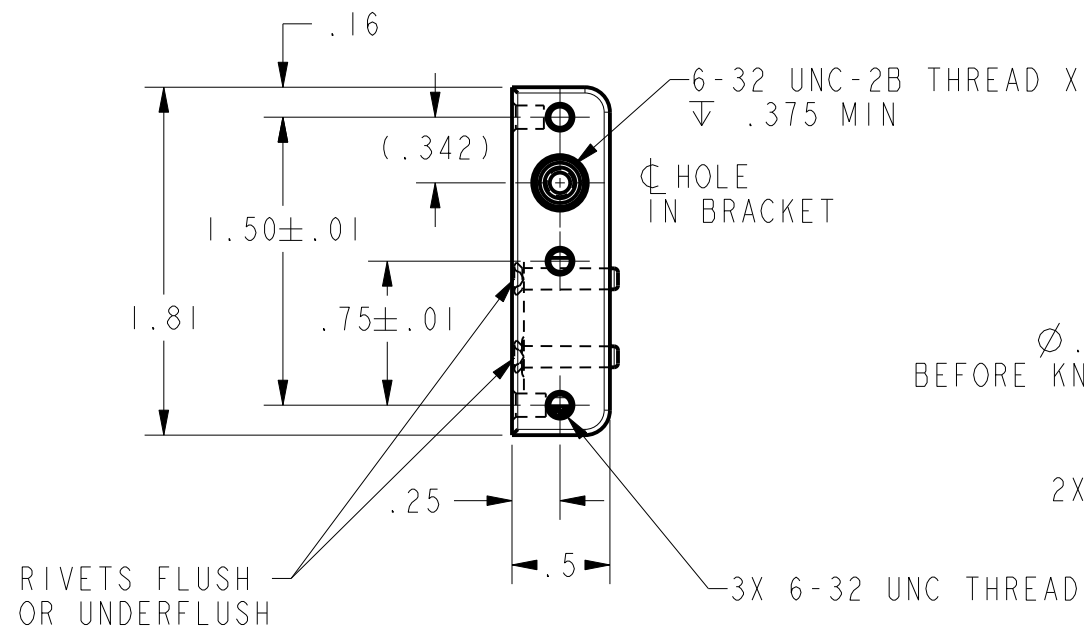


HONEYWELL
PART NUMBER

13AC1

| REV | DOCUMENT | CHANGED BY | CHECK |
|-----|----------|------------|-------|
| 11 | 0036921 | SS 25JAN08 | BLR |

PUSH TO OPERATE- RETURNS AUTOMATICALLY TO POSITION SHOWN
PUSH AND TURN (APPROXIMATELY 60° CLOCKWISE) TO LATCH. REMAINS IN OPERATED POSITION UNTIL RESET FOR AUTOMATIC RETURN BY NEXT PUSH OPERATION $\triangle 3$



ELECTRICAL DATA

CONTACT ARRANGEMENT
S P D T

15.1A 1/2HP 125, 250 VAC
1/2A 125 VDC, 1/4A 250 VDC
5A 125 VAC "L"

CHARACTERISTICS

TOTAL TRAVEL - .360 APPROX
FULLY DEPRESSED FORCE - 4 LBS MAX

NOTES

- 1 - PLASTIC PARTS ARE MADE OF MINERAL FILLED PHENOLICS
- 2 - WITH ROD IN ACTUATED POSITION, BASIC SWITCH PLUNGER MUST HAVE .010 MIN OVERTRAVEL AND WITH ROD IN FREE POSITION BASIC SWITCH PLUNGER MUST HAVE .005 MIN RELEASE TRAVEL
- $\triangle 3$ PLUNGER MUST BE DEPRESSED TO WITHIN .325 FROM THE FRONT SURFACE OF MOUNTING BRACKET TO ASSURE RESET FOR AUTOMATIC RETURN

| | | | | | | | | |
|---|--|-----|---------|------------------|---|--------|-------------------------|------|
| DESIGN UNITS: INCH TOLERANCES UNLESS NOTED: | DRAWN | SS | 25JAN08 | Honeywell | | | | |
| | CHECK | BLR | 25JAN08 | | | | ASSEMBLY, SWITCH | |
| NO PLACES X ± ONE PLACE .X ± TWO PLACE .XX ± THREE PLACE .XXX ± ANGLES X ± | - THIS DRAWING COVERS A PROPRIETARY ITEM AND IS THE PROPERTY OF HONEYWELL. THIS DRAWING IS NOT TO BE COPIED OR USED WITHOUT THE PERMISSION OF HONEYWELL. - INTERPRET PER ANSI Y14.5M-1982 OTHER HONEYWELL ENGINEERING STANDARDS MAY APPLY | | | TITLE | | | | |
| THIRD ANGLE PROJECTION | | | | SCALE 1:1 | | | SIZE | TYPE |
| | Pro/ENGINEER 3D | | | B | I | - | 13AC1 | 11 |
| | | | | SHEET | | 1 OF 1 | | |